

NON SAFETY CRITICAL

SLEEVE ANCHOR

6.5mm - 12mm sizes

Stainless Steel Studs
External & marine applications

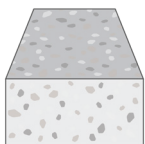
FEATURES & BENEFITS

- Light to medium duty expansion anchor.
- Convenient through fixture fastening.
- Load immediately after installing.
- A wide range of head styles, accomodating a wide range of applications.

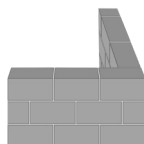
APPLICATIONS/TRADES

- Light to medium load applications into solid brick & block.
- Fixing of signs, gates, handles, grab rails.
- Suspending light fixtures, pipe brackets.
- Shelving unti tie down.

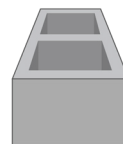
SUBSTRATE SUITABILITY



UNCRACKED CONCRETE



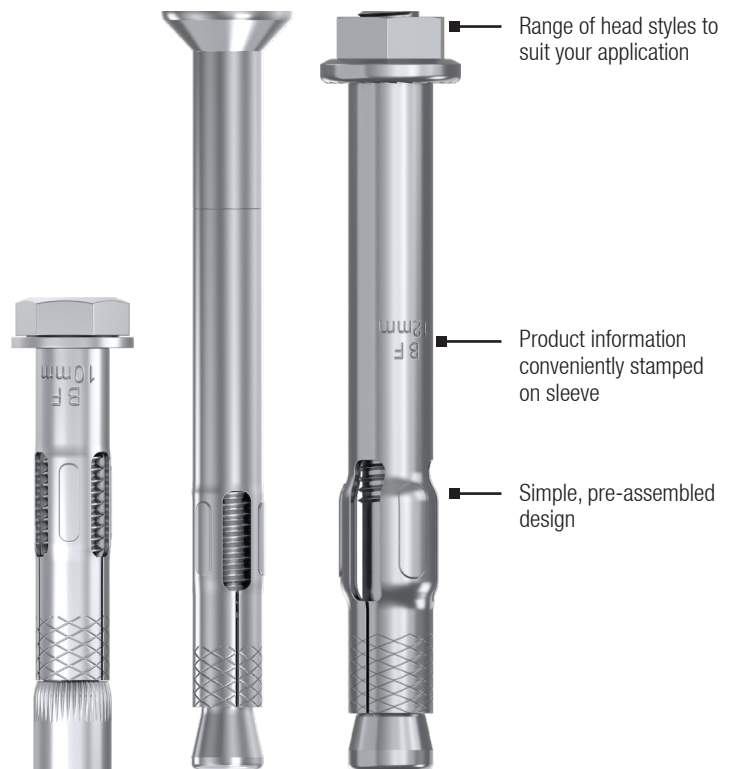
SOLID BRICK



SOLID BLOCK



NATURAL STONE



SLEEVE ANCHOR

NON SAFETY CRITICAL

RANGE



HEXAGONAL FLANGE NUT HEAD

Product Code	Pack Qty	Anchor/ Drill hole Ø (mm)	Thread size	Anchor length (mm)	Maximum fixture thickness (mm)	Drill hole depth (mm) @ $t_{fix, max}$	Minimum embedment depth (mm) @ $t_{fix, max}$	Fixture clearance hole Ø (mm)
				l_t	$t_{fix, max}$	h_1	h_{nom}	d_f
ASNM6060402	100	6.5	M5	40	5	45	35	8
ASNM6060602	100	6.5	M5	60	25	45	35	8
ASNM6060752	100	6.5	M5	75	40	40	35	8
ASNM6080402	100	8	M6	40	5	45	35	10
ASNM6080652	100	8	M6	65	25	50	40	10
ASNM6080852	50	8	M6	85	45	50	40	10
ASNM6100402	50	10	M8	40	5	45	35	12
ASNM6100502	50	10	M8	50	5	55	45	12
ASNM6100602	50	10	M8	60	10	60	50	12
ASNM6100752	50	10	M8	75	25	60	50	12
ASNM6101002	25	10	M8	100	50	60	50	12
ASNM6120602	25	12	M10	60	5	70	55	14
ASNM6120752	25	12	M10	75	15	75	60	14
ASNM6121002	20	12	M10	100	40	75	60	14
ASNM6121302	20	12	M10	130	70	75	60	14

Note: For a fixture thickness (t_{fix}) that is less than the $t_{fix, max}$ value tabled above:
 - increase both the drill hole depth (h_1) & concrete thickness (h_{min}) by ($t_{fix, max} - t_{fix}$ actual)

RANGE



COUNTERSUNK HEAD

Product Code	Pack Qty	Anchor/ Drill hole Ø (mm)	Thread size	Anchor length (mm)	Maximum fixture thickness (mm)	Drill hole depth (mm) @ $t_{fix, max}$	Minimum embedment depth (mm) @ $t_{fix, max}$	Fixture clearance hole Ø (mm)
				l_t	$t_{fix, max}$	h_1	h_{nom}	d_f
ASKM6060352	100	6.5	M5	35	5	40	30	8
ASKM6060602	100	6.5	M5	60	20	45	35	8
ASKM6060752	100	6.5	M5	75	40	45	35	8
ASKM6061002	100	6.5	M5	100	65	45	35	10
ASKM6080602	100	8	M6	60	20	50	40	10
ASKM6080852	50	8	M6	85	45	50	40	12
ASKM6081002	50	8	M6	100	60	50	40	12
ASKM6100752	50	10	M8	75	25	60	50	12
ASKM6101002	50	10	M8	100	50	60	50	12
ASKM6101252	50	10	M8	125	75	60	50	14

SLEEVE ANCHOR

NON SAFETY CRITICAL

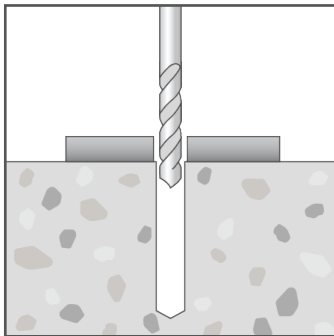
RANGE



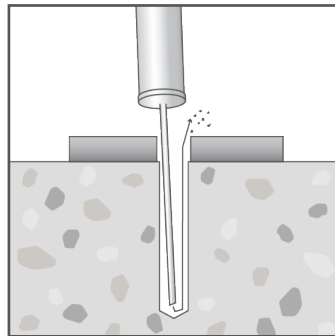
HEXAGONAL FLUSH HEAD

Product Code	Pack Qty	Anchor/ Drill hole Ø (mm)	Thread size	Anchor length (mm)	Maximum fixture thickness (mm)	Drill hole depth (mm) @ $t_{fix, max}$	Minimum embedment depth (mm) @ $t_{fix, max}$	Fixture clearance hole Ø (mm)
				l_t	$t_{fix, max}$	h_i	h_{nom}	d_f
ASFM6080452	50	8	M6	45	5	50	40	10
ASFM6080702	50	8	M6	70	30	50	40	10
ASFM6080902	50	8	M6	90	50	50	40	10
ASFM6100402	50	10	M8	40	5	50	40	12
ASFM6100602	50	10	M8	60	10	60	50	12
ASFM6100802	50	10	M8	80	30	60	50	12
ASFM6101002	50	10	M8	100	50	60	50	12
ASFM6120752	25	12	M10	75	15	75	60	14

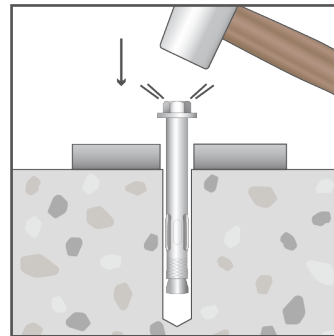
INSTALLATION



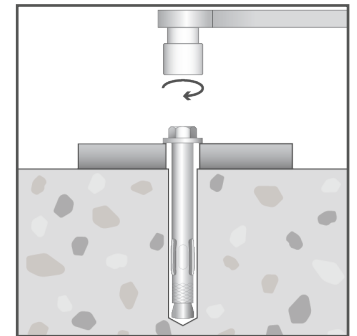
Drill hole through fixture into substrate to the specified diameter and depth.



Clear hole of drilling debris.



Insert anchor into hole and drive until anchor is flush with the surface of the fixture.



Using a wrench, expand anchor by tightening to the specified installation torque.

SCREW ANCHOR

NON SAFETY CRITICAL

PRODUCT INSTALL & PERFORMANCE INFORMATION

Anchor / Drill hole Ø (mm)	Minimum embedment depth	Minimum substrate thickness	Socket size AF (mm)	Installation torque (Nm)	Critical anchor spacing (mm)	Critical anchor edge distance (mm)	Recommended Capacities	
							Tension (kN)	Shear (kN)
d_{nom} / d_o	h_{nom}	h_{min}	SW	T_{inst}	s_{cr}	c_{cr}	N_{rec}	V_{rec}
6.5	30	60	8	3	75	40	1.9	2.1
6.5	35	70	8	3	90	45	1.9	2.1
8	35	70	10	6	85	45	2.3	3.0
8	40	80	10	6	100	50	2.7	3.0
10	35	70	13	11	75	40	2.0	2.8
10	45	90	13	11	105	55	3.4	4.6
10	50	100	13	11	120	60	3.4	5.3
12	55	110	16	22	130	65	4.6	6.1
12	60	120	16	22	145	75	4.7	7.6

- Note:
- Recommended capacities are based on:
 - Single anchor.
 - Critical anchor spacing and edge distance values.
 - 20MPa concrete compressive strength.
 - (Characteristic ultimate concrete capacities / 3) & (characteristic ultimate steel capacities / 2.5).
 - Shear load directed away from concrete edge.
 - For combined load cases (tension & shear) - must also comply with $(N_{app} / N_{rec}) + (V_{app} / V_{rec}) \leq 1.2$.

Important Disclaimer: Capacity information is limited to the simple scope above and is provided to enable a relative comparison within and across product ranges. Please contact Bremick to enable an anchoring solution to be optimised for your particular anchoring application.