

# NCC COMPLIANT AS5216 CONFORMING

## DROPIN ANCHOR INTERNAL THREAD

### Range M6 - M16

Zinc Plated  
Dry, internal applications

#### FEATURES & BENEFITS

- Ideal for safety critical load case applications.
- Intended working life of 50 years.
- Comprehensive range from M6 to M16
- ETA rating - Option 7, Uncracked Concrete
- Fire rating to 120 minutes for all anchor sizes.

#### APPLICATIONS/TRADES

- Suspended services to concrete slab soffit.
- The internal ISO metric coarse thread accepts a wide range of bolts and threaded rod.
- Leaves no protrusion once fixture removed - ideal for make good in leased space environments.
- Balustrade and hand rail base plates.

#### COMPLIANCE



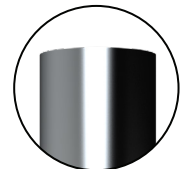
**AS5216**



**OPTION 7**  
Uncracked Concrete



Internal thread accepts a wide range of bolts & threaded rod



Installs with a flush finish



Set the internal anchor plug using the correct setting tool



# DROPIN ANCHOR

## INTERNAL THREAD

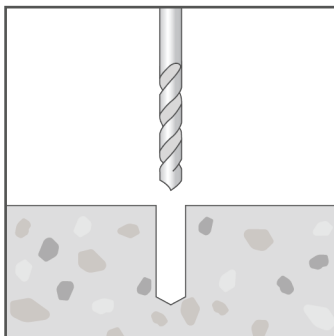
### NCC COMPLIANT | AS5216 CONFORMING

#### RANGE

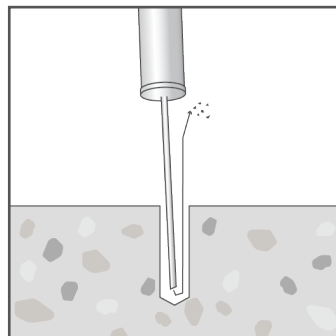
Product Code	Pack Qty	Thread size	Anchor length (mm)	Drill hole Ø (mm)	Drill hole depth (mm)	Minimum concrete thickness (mm)	Fixture clearance hole Ø (mm)
			$l_t$	$d_o$	$h_1$	$h_{min}$	$d_f$
ADIMZ06025ETA	100	M6	25	8	25	100	7
ADIMZ08030ETA	50	M8	30	10	30	100	9
ADIMZ10040ETA	50	M10	40	12	40	120	12
ADIMZ12050ETA	25	M12	50	15	50	140	14
ADIMZ16065ETA	20	M16	65	20	65	160	18

Note:

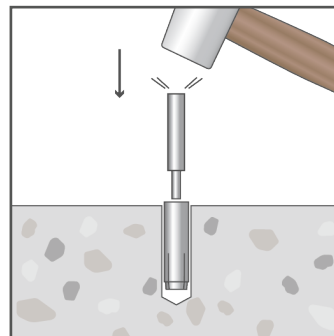
#### INSTALLATION



Drill hole into substrate to the specified depth

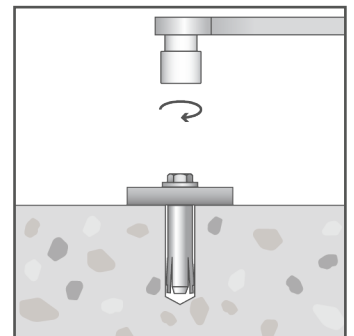


Clear hole of drilling debris.



Tap anchor into the drilled hole using a hammer until flush with substrate surface.

Impact the setting tool with a hammer until the setting tool contacts the top of the anchor body.



Place fixture, install bolt / threaded rod and apply specified installation torque.

# DROPIN ANCHOR

## INTERNAL THREAD

### NCC COMPLIANT | AS5216 CONFORMING

#### PRODUCT INSTALL & PERFORMANCE INFORMATION

Product Code	Anchor length (mm)	Drill hole depth (mm)	Minimum concrete thickness (mm)	Installation torque - maximum (Nm)	Design Capacities	
					Uncracked concrete - tension (kN)	Uncracked concrete - shear (kN)
					$N_{Rd}$	$V_{Rd}$
ADIMZ06025ETA	25	25	100	4	3.4	1.7
ADIMZ08030ETA	30	30	100	8	2.8	3.7
ADIMZ10040ETA	40	40	120	15	4.7	4.7
ADIMZ12050ETA	50	50	140	35	6.8	5.0
ADIMZ16065ETA	65	65	160	60	9.8	12.0

Note: Concrete cylinder compressive strength = 32MPa  
 Single anchor - no nearby edge, minimum recommended concrete thickness  
 For combined load cases - must also comply with  $(N^* / N_{Rd}) + (V^* / V_{Rd}) \leq 1.2$

**Important Disclaimer:** Product performance information contained herein is based on ETA certificate data and AS5216:2021 inputs as appropriate. Capacity information is limited to very simple load case configurations and is provided to enable a relative comparison within and across product ranges. The design of an anchoring solution for a particular application should be conducted by an appropriately qualified design professional.