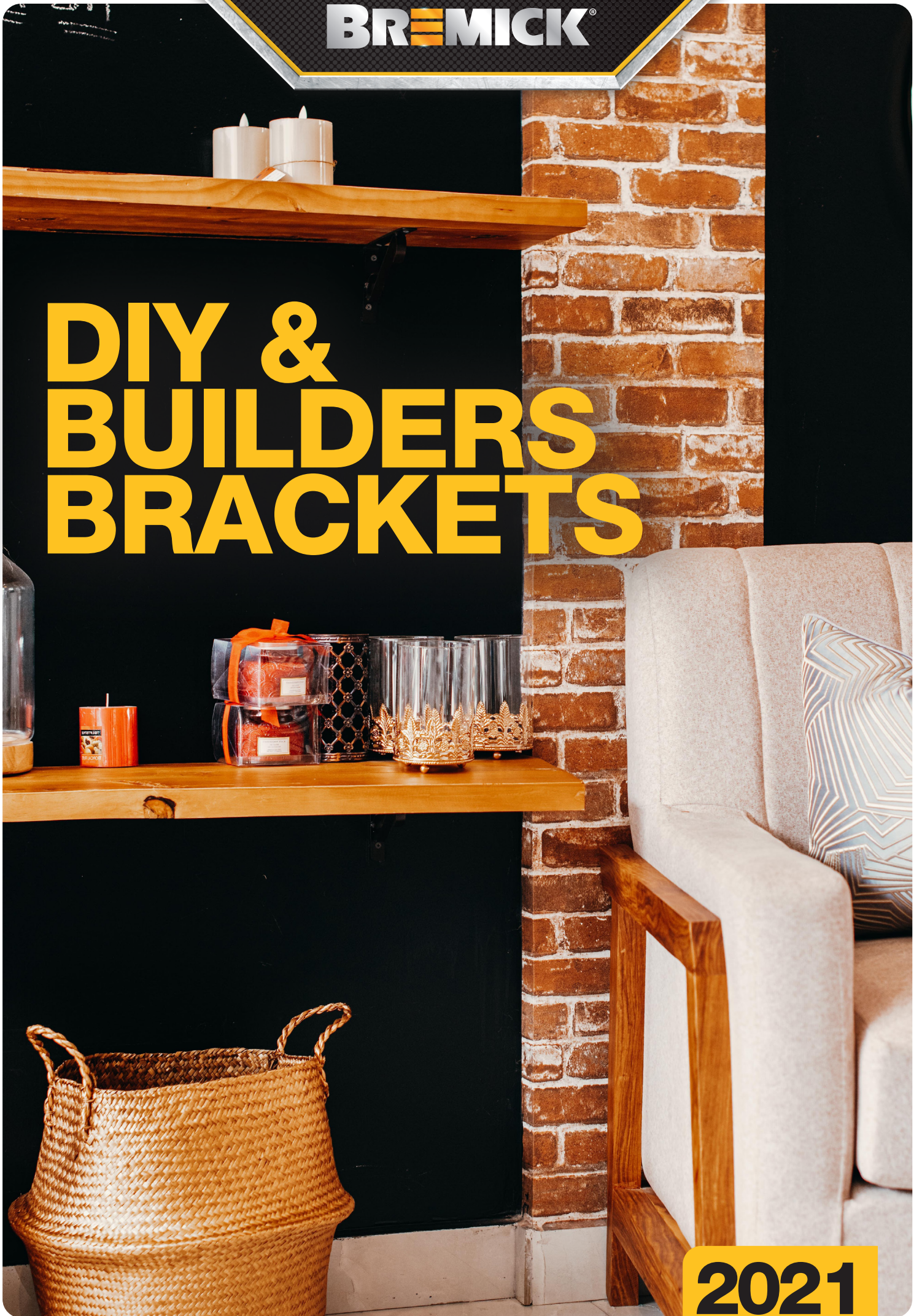


DIY & BUILDERS BRACKETS

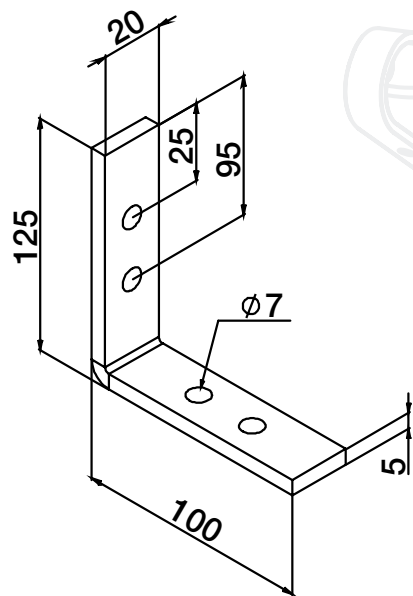


Bremick's High Quality Brackets

Brackets are a traditional hardware range of products that are suited to both Trade & DIYer's alike. Bremick has compiled a wide range of Brackets to suit all considered applications. Whether that be repairing an existing timber structure, putting up shelves or installing an air conditioning unit, Bremick has the product range to suit.

Bremick Brackets range is the preferred solution boasting:

- High quality products
- Comprehensive & rationalised range to maximise return on space
- Detailed labels with dimensional specifications
- Trade focused with retail benefits
- Speed to market and exceptional customer service
- Market competitive pricing
- Easy to shop planogram solutions
- Industry leading label design



POS & Packaging



- + Product Name
- + Size
- + Finish
- + Features
- + Code & Barcode
- + Dimensions



- + Product Name
- + Size
- + Finish
- + Code & Barcode
- + Dimensions



- + Product Name
- + Size
- + Finish
- + Code & Barcode
- + Dimensions

Range Colour Coding

MULTI PURPOSE

BUILDING

DECORATIVE



Bremick's added value

- Proudly Australian company
 - Supports Independent Hardware stores
 - Renowned for quality and engineered products
 - Category management and customer service focused
 - New ranges have been developed and rationalised to maximise sales and space on shelf
- Labels have been created in a contemporary fashion and designed to be attractive to customers, assisting them in their buying decision
 - Labels display detailed specifications with item drawings and dimensions
 - Pricing is competitive and will remain competitive
 - Launch discount and incentive available



Product Type	Pack Type	Available Sizes
MULTI PURPOSE		
ANGLE BRACKETS ZINC	Carded	20x13mm, 25x13mm, 38x13mm, 50x15mm, 63x15mm, 75x18mm, 100x22mm
ANGLE BRACKETS SS304	Carded	40x40x3mm, 50x50x3mm, 75x75x3mm, 100x100x3mm
DOUBLE WIDTH ANGLE BRACKETS ZINC	Carded	38x38mm, 50x38mm, 63x38mm,
TRI CORNER BRACE BRACKETS ZINC	Carded	50x17mm, 75x20mm, 100x25mm
CORNER BRACE BRACKETS ZINC	Carded	38x10mm, 50x10mm, 63x13mm, 75x13mm, 100x16mm
MENDING PLATES ZINC	Carded	75x2mm, 100x2mm, 125x2.3mm, 150x2.3mm
T-MENDING PLATES ZINC	Carded	100x19mm
DECORATIVE		
LONDON BRACKET – GREY	Bulk	100x75mm, 125x100mm, 150x125mm, 200x150mm, 250x200mm, 300x250mm, 350x300mm
LONDON BRACKET – WHITE	Bulk	100x75mm, 125x100mm, 150x125mm, 200x150mm, 250x200mm, 300x250mm, 350x300mm
LONDON BRACKET – BLACK	Bulk	200x150mm, 250x200mm, 300x250mm, 350x300mm
LIGHT STAYED BRACKET – GREY	Bulk	150x125mm, 200x150mm, 250x200mm, 300x250mm, 350x300mm
LIGHT STAYED BRACKET – WHITE	Bulk	200x150mm, 250x200mm, 300x250mm, 350x300mm
SNAP IN ANGLE BRACKET ZINC	Bulk	200x200mm, 300x300mm, 380x380mm
SNAP IN ANGLE BRACKET GAL	Bulk	380x380mm
HEAVY DUTY STAYED BRACKET ZINC	Bulk	250x200x25mm, 300x250x25mm, 300x300x25mm, 350x300x25mm, 400x350x25mm, 500x400x25mm, 500x500x25mm
HEAVY DUTY STAYED BRACKET GAL	Bulk	250x200x25x5mm, 300x250x25x5mm, 300x300x25x5mm, 350x300x25x5mm, 400x350x25x5mm, 500x400x25x5mm, 500x500x25x5mm
AIRCON STAYED BRACKET ZINC	Bulk	500x300x40mm, 600x300x40mm, 500x300x40x5, 600x300x40x5
SCROLL STAYED BRACKET – WHITE	Bulk	100x100mm, 150x150mm, 250x250mm
SCROLL STAYED BRACKET – BLACK	Bulk	100x100mm, 150x150mm, 250x250mm
SHELF BRACKET – WHITE	Bulk	145x120mm, 200x140mm, 250x200mm
SHELF BRACKET – BLACK	Bulk	145x120mm, 200x140mm, 250x200mm
BUILDING		
H/DUTY ANGLE BRACKETS ZINC	Bulk	50x50x40mm, 75x75x40mm, 100x100x40mm, 150x150x40mm, 200x150x40mm, 200x200x40mm, 250x200x40mm, 250x250x40mm, 300x250x40mm, 300x300x40mm, 380x380x40mm, 75x75x75mm, 130x130x75mm
H/DUTY ANGLE BRACKETS GAL	Bulk	60x60x35x3mm, 60x100x35x3mm, 100x100x35x3mm, 60x60x70x3mm, 60x100x70x3mm, 100x100x70x3mm, 60x60x105x3mm, 100x100x105x3mm, 75x75x40x5mm, 100x100x40x5mm, 150x150x40x5mm, 200x200x40x5mm, 250x200x40x5mm
H/DUTY ANGLE BRACKETS SS304	Bulk	60x60x35x3mm, 60x60x70x3mm, 60x100x35x3mm, 60x100x70x3mm, 100x100x35x3mm
STURDY ANGLE BRACKET M6 GAL	Bulk	75x75x20x5mm, 100x75x20x5mm, 150x125x20x5mm, 200x150x25x5mm, 250x200x25x5mm
STURDY ANGLE BRACKET M10 GAL	Bulk	40x40x40x5mm, 50x50x50x5mm
STURDY ANGLE BRACKET M12 GAL	Bulk	90x90x75x5mm, 50x100x50x5mm, 65x130x65x5mm, 90x150x75x6mm, 80x80x40x5mm, 100x100x50x5mm, 130x130x65x5mm, 150x150x75x6mm
UNIVERSAL H/DUTY ANGLE BRACKET GAL	Bulk	230x40x40x2mm
H/DUTY MENDING PLATE ZINC	Bulk	190x40x3.5mm, 250x75x4mm, 340x40x3.5mm
H/DUTY MENDING PLATE GAL	Bulk	150x40x3mm, 150x75x5mm, 200x40x3mm, 200x50x3mm, 300x50x3mm, 300x50x5mm, 450x50x5mm
H/DUTY MENDING PLATE SS304	Bulk	150x40x3mm
Z BRACKET GAL	Bulk	104x50x5mm
PURLIN BRACKET PLATE GAL	Bulk	95x51x3mm, 145x49x3mm, 192x65x3mm
PURLIN BRACKET PLATE SS304	Bulk	95x50x3mm, 145x50x3mm
PURLIN ANGLE PLATE GAL	Bulk	106x65x52x3mm, 145x50x50x3mm, 195x65x65x3mm

CONTACT US – bremick.com.au – bremick.co.nz

Australia (Sydney)
 E sales@bremick.com.au
 P +61 2 8332 1500

New Zealand (Auckland)
 E nthnzsales@bremick.co.nz
 P 9525 2244

New Zealand (Wellington)
 E nthnzsales@bremick.co.nz
 P 4566 9363

New Zealand (Christchurch)
 E sthnzsales@bremick.co.nz
 P 3365 8998