

VORTEX™ FRAME

For fastening all steel framing.

Suitable for steel framing with or without pre-punched holes.

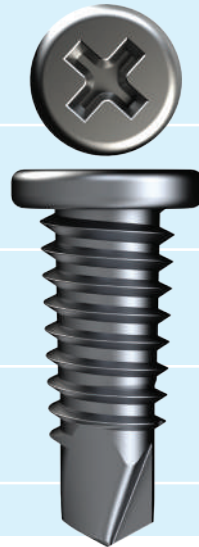
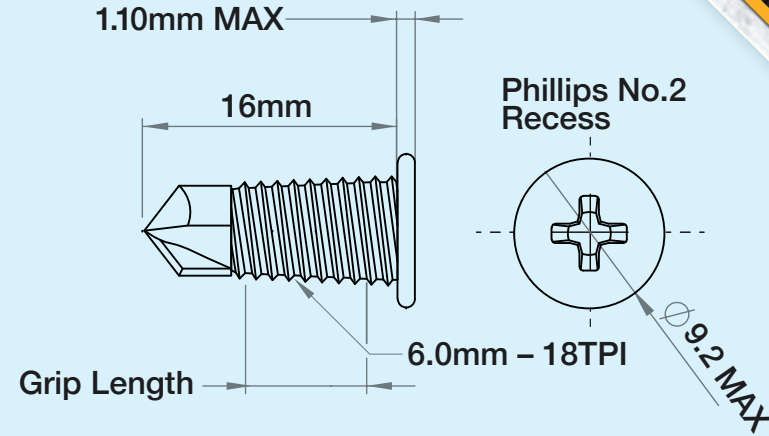
Suitable for use with:

- Steel Framing
- Steel Roof Trusses
- Steel Floor Joists



REVOLUTIONARY PROTECTION & PERFORMANCE
for corrosive environments

BREMICK™



No. 2 Phillips Drive provides optimal torque transfer, minimising installation time

Lower profile flat head designed for a flush finish

Tapered Thread provides smooth, consistent installation

Self Drilling Point for metal drilling

Product Description	Pack Quantity	Pieces per Pallet	Product Code	Phillips Driver	Screw Length	Grip Length	Shank Diameter	Threads per Inch	Single Shear KN	Axial Tensile KN	Torsional Nm	Maximum Drilling Capacity	Pre-Punched Hole Diameter (Max)
VORTEX™ Frame Flat Head Phillips B8 6.0–18TPI x 16mm	1000	210,000	SUFC8600162	No.2	16mm	9mm	5.6	18	12.5	21.2	17.5	4.0mm	4.2mm - 5.3mm

VORTEX™ FRAME

Installation Recommendations

For best results use a power screw driver with variable speed of 2200 to 2500 RPM with a No.2 Phillips driver. The use of battery screw drivers with clutch drive settings will significantly decrease drilling speed.



Setting Instructions

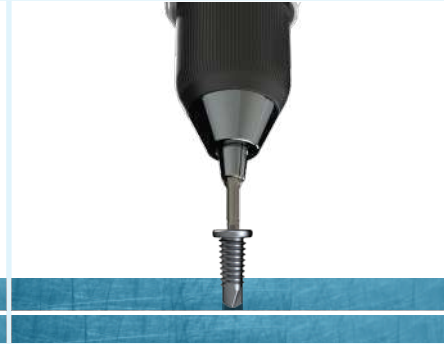
Stage 1

Insert screw recess into driver bit and place tip of screw at fastening point.



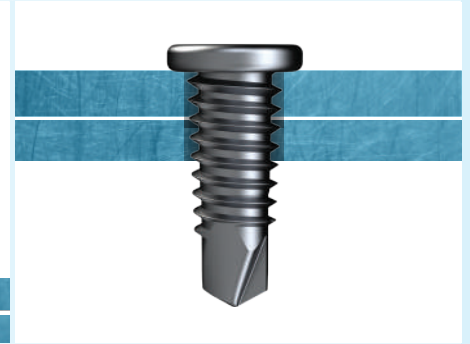
Stage 2

Apply firm pressure to create a start. Maintain steady pressure whilst driving screw at 2200-2500RPM.



Stage 3

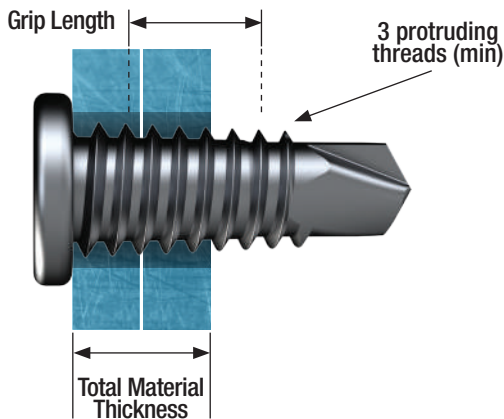
Screw taps threads into steel, drawing materials together to generate the clamping force. Drive until the head is flush. Do NOT over drive.



Axial Withdrawal Forces

Mean Ultimate Pull Out Force KN – Steel

Product	Product Code	1.0mm BMT G450	1.2mm BMT G450	1.5mm BMT G450
M6.0-18 x 16mm	SUFC8600162	2.95	3.52	3.95



2x
PROTECTION

More than double the Corrosion protection of conventional Class 4 in category 5 environments.

8x
TOUGHER

Than conventional Class 4
Extremely abrasion resistant. Minimal coating loss during installation.

30%
FASTER
DRILLING

Than conventional Class 4

REVOLUTIONARY PROTECTION & PERFORMANCE
for corrosive environments